



# PRODUCTS CATALOG

ELECTRICAL ENCLOSURES & MODULAR CABINETS



# 20

[exmweb.com](http://exmweb.com)

# NEMA 4X ENCLOSURES

5412 ESSLC

## LIFT OFF COVER STAINLESS STEEL ENCLOSURES (BOLTED FEET)

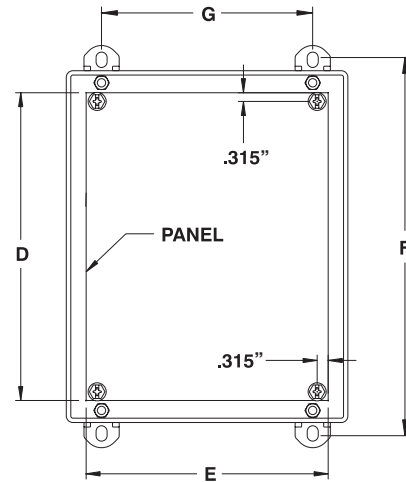
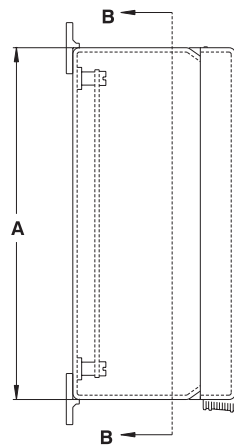
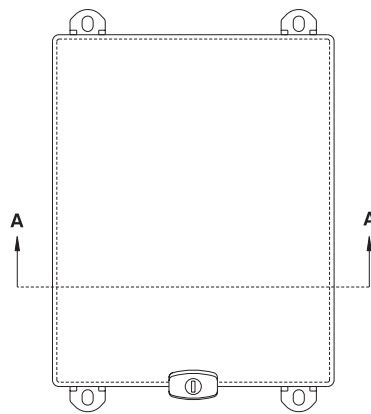
The 5412 ESSLC lift off cover, water oil and dust tight enclosures are used indoors or outdoors, in areas where a corrosion problem may exist, or where the enclosures may be subjected to hosing or water coming from any direction. The box and cover are made of high quality 16 GA (Type 304) stainless steel, with all seams continuously welded. A high quality, robotically poured-

inplace, seamless gasket ensures a complete and durable water tight seal. The opening has a curled lip around all sides to increase rigidity and prevent dripping water from entering when the door is open. A flange-mounted 1/4 turn lock ensures positive closing. The enclosure can be internally or externally mounted using the included die cast wall mounting feet.

Each enclosure comes complete with a 14 GA galvanized steel inner panel, which mounts on welded nuts. The enclosures are brushed stainless steel.

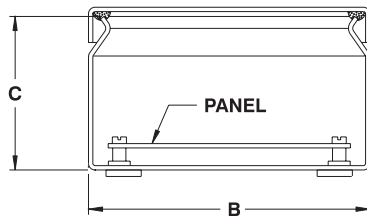
**CSA Certified / UL Listed  
NEMA/EEMAC 4X / IP66**

**Refer to p.734 to validate choice of substrate for the application**



SECTION B-B

NOTE : 1 LOCK IF B=10" OR LESS  
2 LOCKS IF B=12" OR MORE



SECTION A-A

**CUSTOMIZE THIS**  
ENCLOSURE WITH **BOXCAD**  
SIZE - COLOR - CUT-OUTS



CATALOG NUMBER	DIMENSIONS							SHIP WGHT LBS.
	A	B	C	D	E	F	G	
5412 ESSLC040403	4	4	3	Ø Pan.	Ø Pan.	4.75	2	2
5412 ESSLC060403	6	4	3	4.88	2.88	6.75	2	3
5412 ESSLC060404	6	4	4	4.88	2.88	6.75	2	4
5412 ESSLC060604	6	6	4	4.88	4.88	6.75	4	5
5412 ESSLC080604	8	6	4	6.88	4.88	8.75	4	6
5412 ESSLC100804	10	8	4	8.88	6.88	10.75	6	10
5412 ESSLC121005	12	10	5	10.88	8.88	12.75	8	13
5412 ESSLC141206	14	12	6	12.88	10.88	14.75	10	19
5412 ESSLC161406	16	14	6	14.88	12.88	16.75	12	23
5412 ESSLC141208	14	12	8	12.88	10.88	14.75	10	20
5412 ESSLC161410	16	14	10	14.88	12.88	16.75	12	25



340

